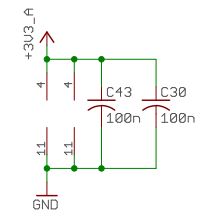
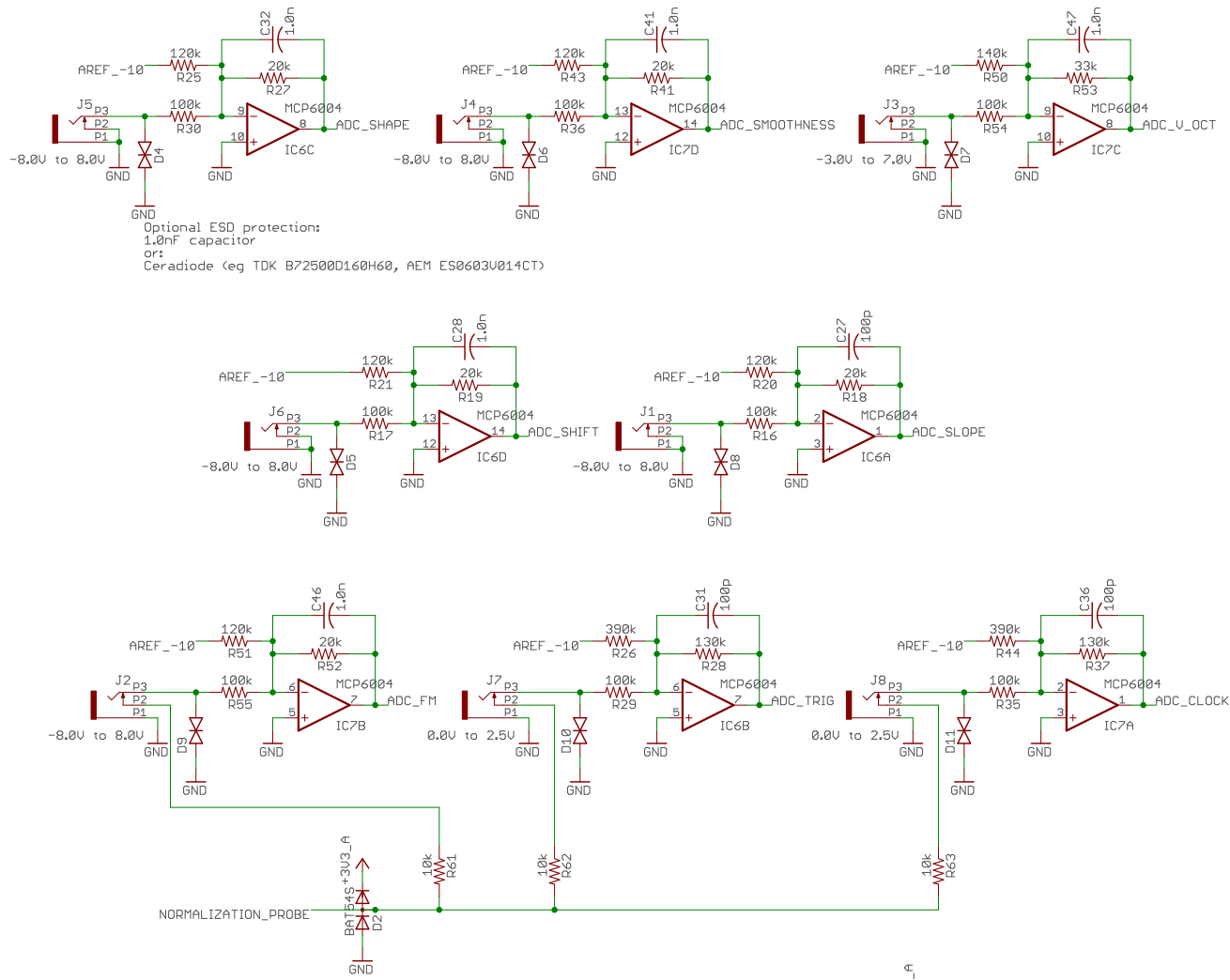
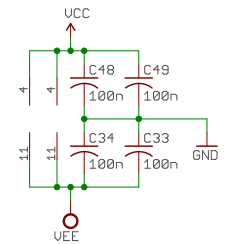
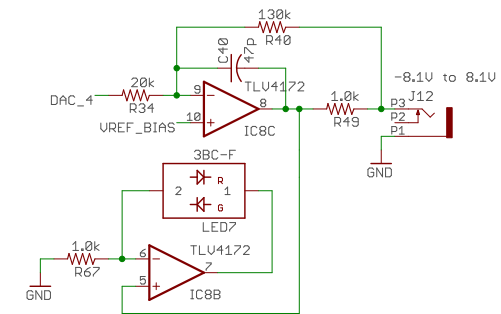
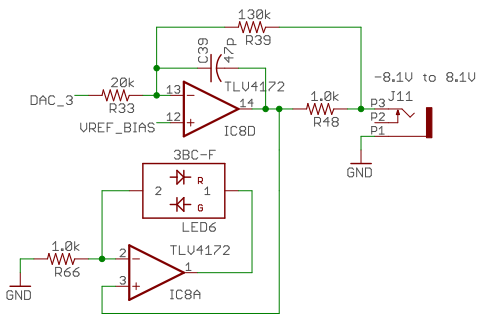
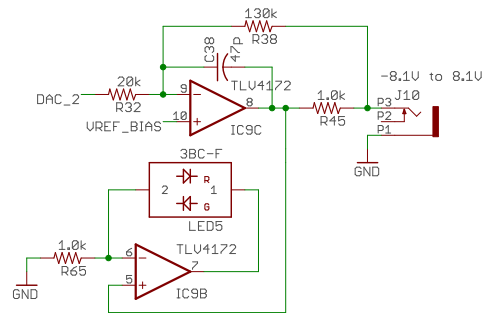
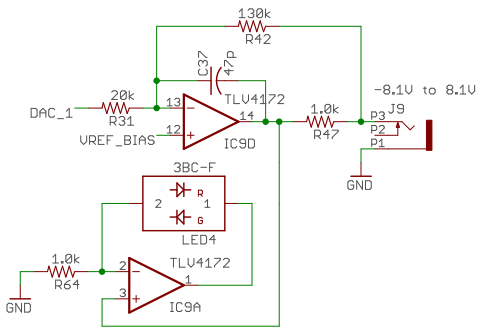
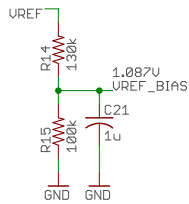
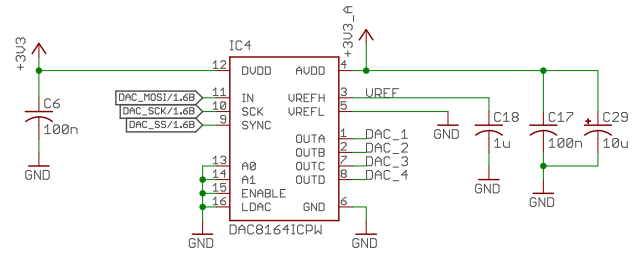


cc-by-sa	Controls
Émilie Gillet	tides2_v40
emilie.o.gillet@gmail.com	03/04/2019 10:54
	Sheet: 2/5

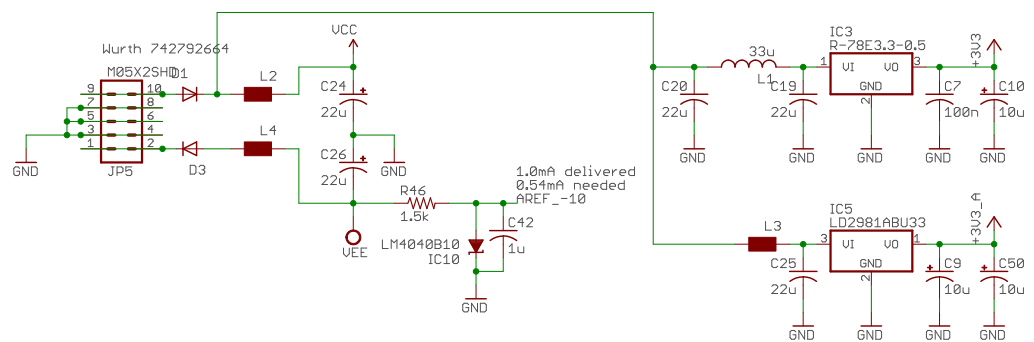


cc-by-sa	CU inputs
Émilie Gillet	tides2_v40
emilie.o.gillet@gmail.com	03/04/2019 10:54
	Sheet: 3/5



cc-by-sa  
 Émilie Gillet  
 emilie.o.gillet@gmail.com

DAC and outputs  
 tides2\_v40  
 03/04/2019 10:54  
 Sheet: 4/5



cc-by-sa	Power
Émilie Gillet	tides2_v40
emilie.o.gillet@gmail.com	03/04/2019 10:54
	Sheet: 5/5