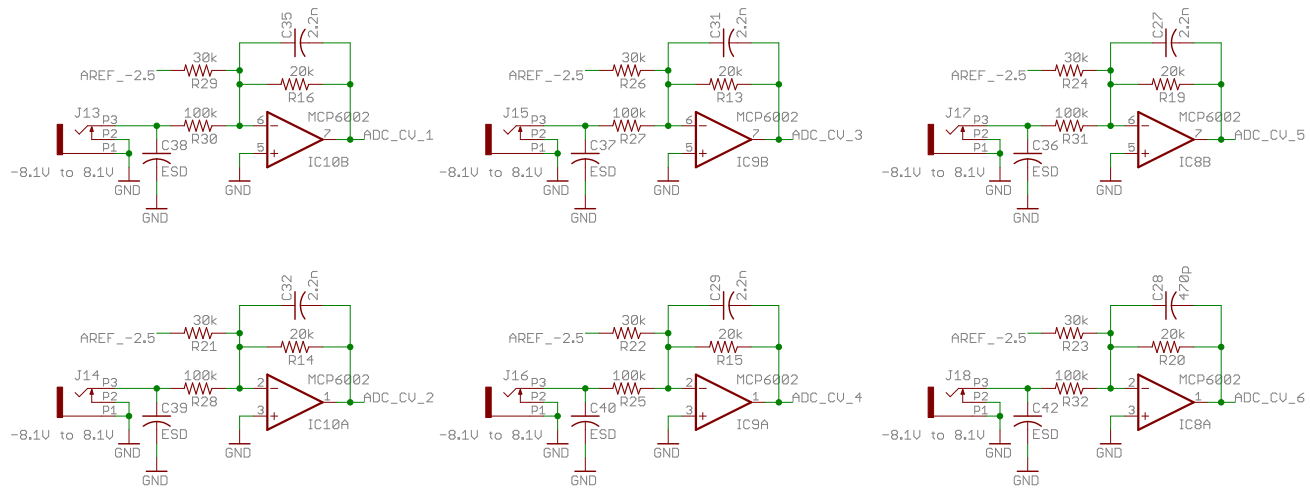


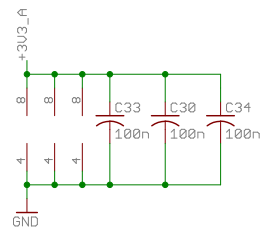
H1 MOUNT-HOLE3.0
 H2 MOUNT-HOLE3.0

⊗ ⊗ ⊗ ⊗

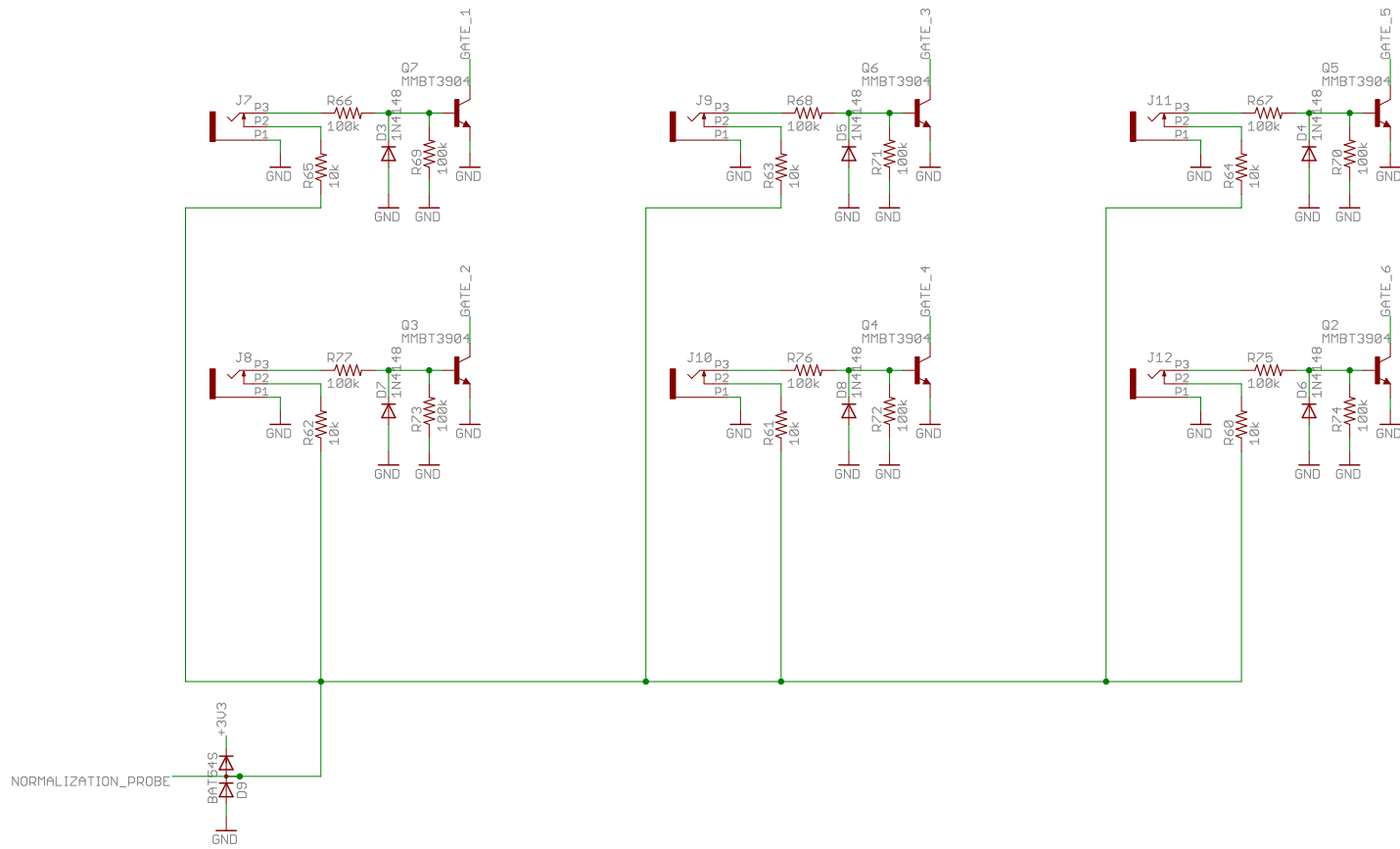
cc-by-sa	Controls
Émilie Gillet	stages_v70
emilie.o.gillet@gmail.com	02/04/2019 22:05
	Sheet: 2/6

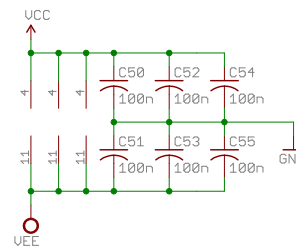
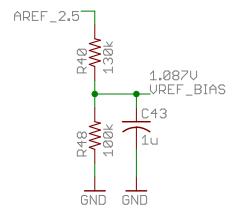
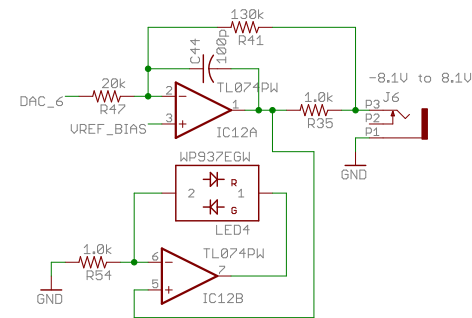
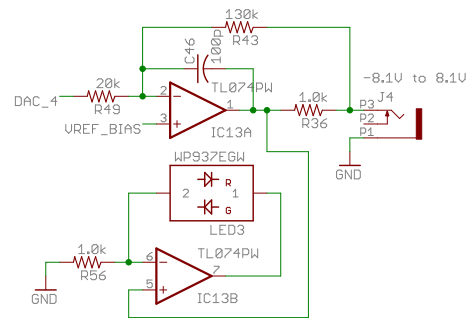
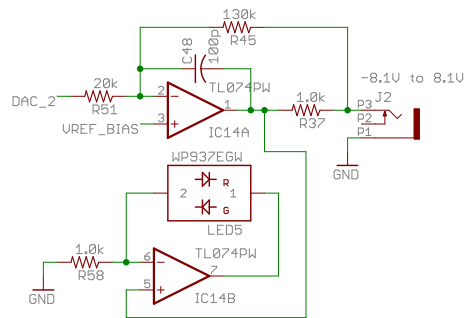
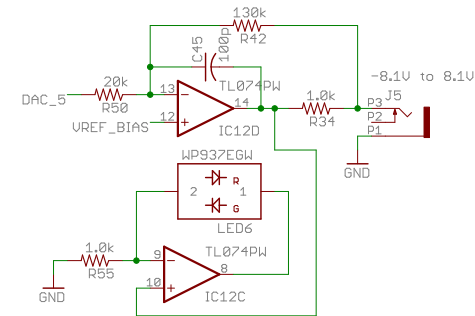
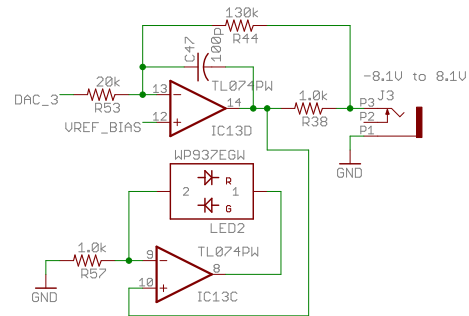
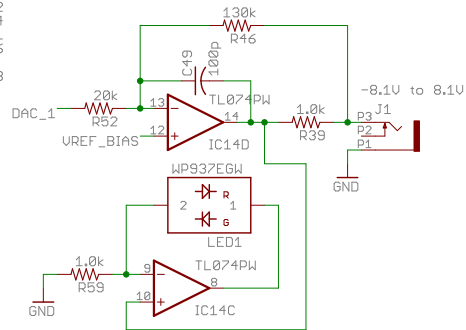
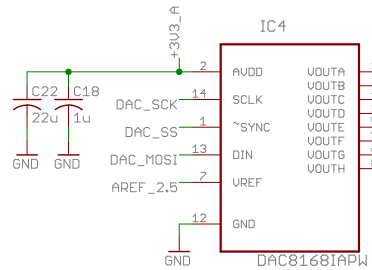


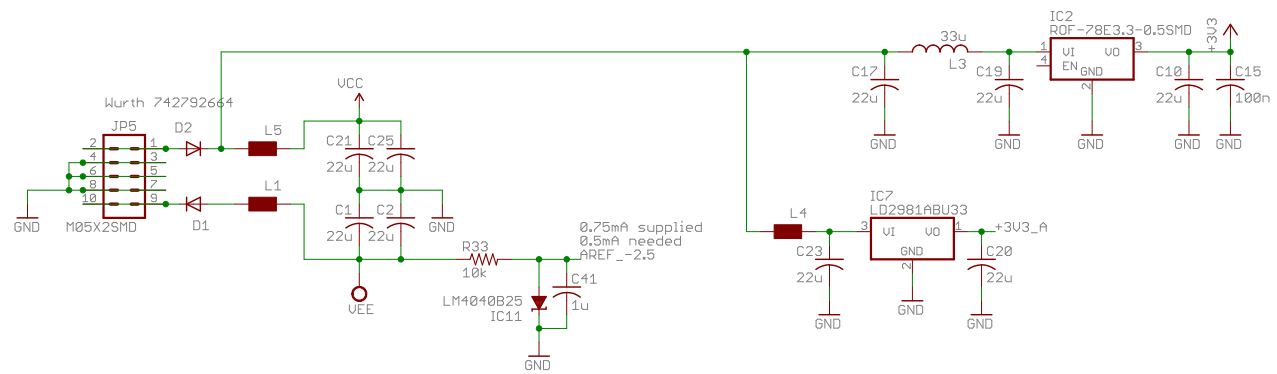
Optional ESD protection:
 1.0nF capacitor
 or:
 Ceradiode (eg TDK B72500D160H60, AEM ES0603U014CT)



cc-by-sa	CV inputs
Émilie Gillet	stages_v70
emilie.o.gillet@gmail.com	02/04/2019 22:05
	Sheet: 3/6







H3
MOUNT-HOLE3.0TINY

cc-by-sa	Power
Émilie Gillet	stages_v70
emilie.o.gillet@gmail.com	02/04/2019 22:05
	Sheet: 6/6