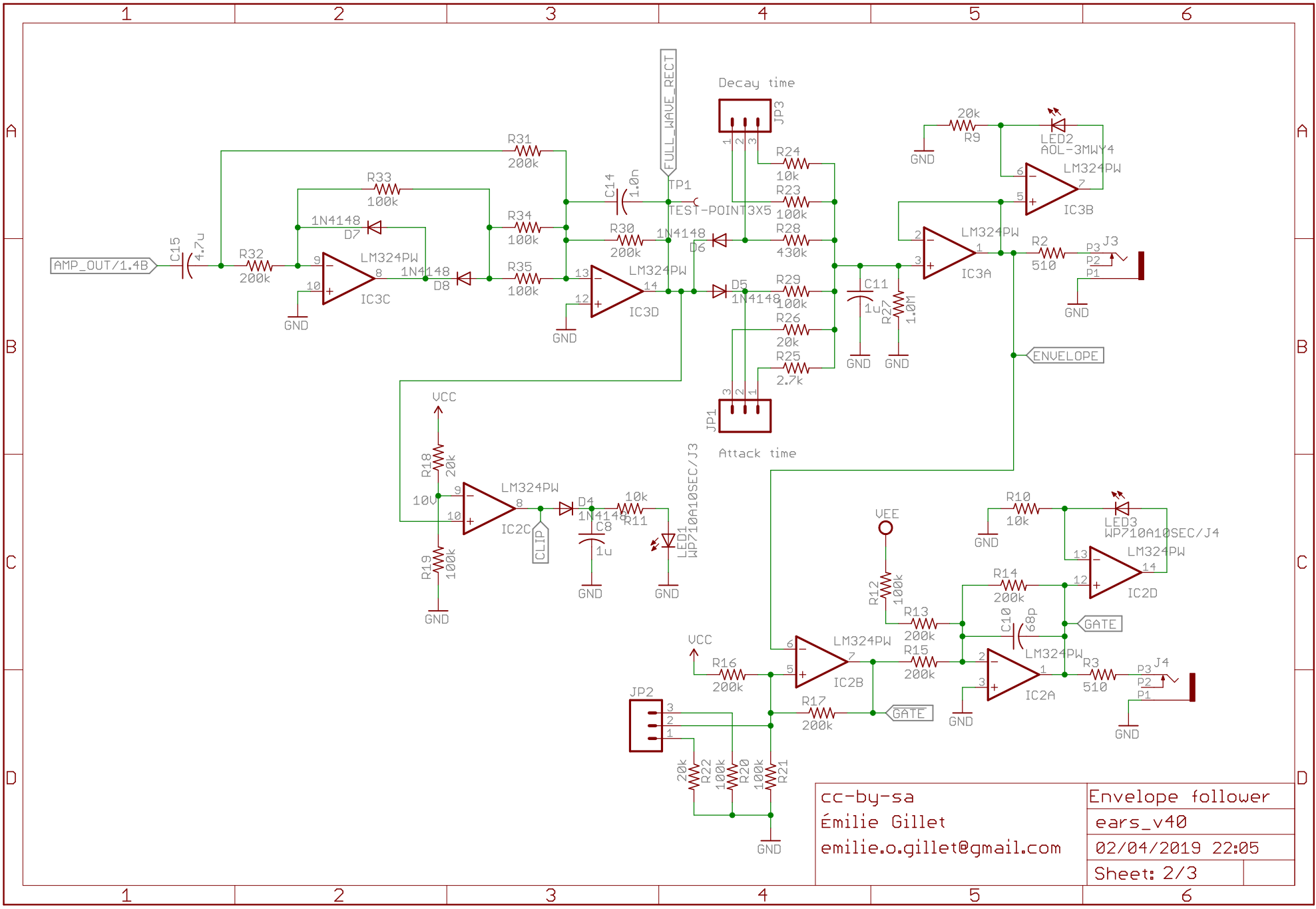


LPF > 500kHz      U+ protection  
 AC coupling HPF < 0.02Hz

Gain: 1x (0dB) to 100x (40dB)  
 LPF > 300kHz

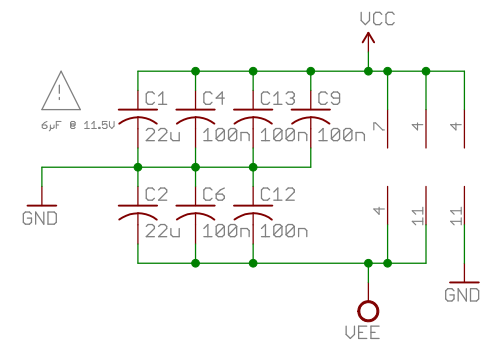
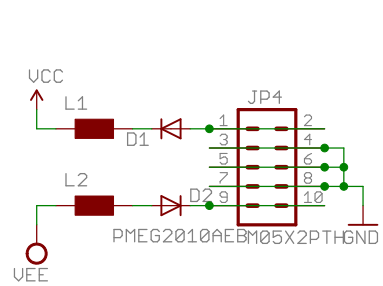
cc-by-sa  
 Émilie Gillet  
 emilie.o.gillet@gmail.com

Input amplifier	
ears_v40	
02/04/2019 22:05	
Sheet: 1/3	



cc-by-sa  
 Émilie Gillet  
 emilie.o.gillet@gmail.com

Envelope follower	
ears_v40	
02/04/2019 22:05	
Sheet: 2/3	



cc-by-sa	Power supply
Émilie Gillet	ears_v40
emilie.o.gillet@gmail.com	02/04/2019 22:05
	Sheet: 3/3